

Eastside VBC Winter Slam Festival - January 28-29, 2012

Hosted by Eastside Volleyball Club

Held at Peoria River Plex / East Peoria Community High School

16U Pool Play

OVER ALL RECORDS FOR POOL 16DIP1

Team	Code	MATCH'S			Pctg	GAMES			POINTS		
		Won	Lost	Tie		Won	Lost	Pctg	For	Against	Pctg
Panther 16U Red	3 FJ6PSCLB1GL	1	2		33.33%	2	4	33.33%	129	134	49.05%
ESVBC 16-Silver	1 FJ6ESTSD3IA	3	0		100.00%	6	2	75.00%	184	147	55.59%
BAVC 16	4 FJ6ESTSDAIA	0	3		0.00%	1	6	14.29%	112	163	40.73%
PTVBC 16-Yellow	2 FJ6PTVBC4GL	2	1		66.67%	5	2	71.43%	168	147	53.33%

Team	MATCH'S	Game 1			Game 2			Game 3			Offense	Defense	Diff +/-	Diff Tot.
		Won	Lost	Tie	Won	Lost	Tie	Won	Lost	Tie				
Panther 16U Red	X ESVBC 16-Silver	18	-	25	, 19	-	25	,	-		37	50	-13	
Panther 16U Red	X BAVC 16	25	-	19	, 25	-	15	,	-		50	34	16	
Panther 16U Red	X PTVBC 16-Yellow	19	-	25	, 23	-	25	,	-		42	50	-8	-5
ESVBC 16-Silver	X Panther 16U Red	25	-	18	, 25	-	17	,	-		50	35	15	
ESVBC 16-Silver	X BAVC 16	23	-	25	, 25	-	11	,	15	-	63	44	19	
ESVBC 16-Silver	X PTVBC 16-Yellow	32	-	30	, 24	-	26	,	15	-	71	68	3	37
BAVC 16	X Panther 16U Red	19	-	25	, 15	-	25	,	-		34	50	-16	
BAVC 16	X ESVBC 16-Silver	25	-	23	, 11	-	25	,	8	-	44	63	-19	
BAVC 16	X PTVBC 16-Yellow	22	-	25	, 12	-	25	,	-		34	50	-16	-51
PTVBC 16-Yellow	X Panther 16U Red	25	-	19	, 25	-	23	,	-		50	42	8	
PTVBC 16-Yellow	X ESVBC 16-Silver	30	-	32	, 26	-	24	,	12	-	68	71	-3	
PTVBC 16-Yellow	X BAVC 16	25	-	22	, 25	-	12	,	-		50	34	16	21

OVER ALL RECORDS FOR POOL 16DIP2

Team	Code MATCH'S			Pctg GAMES			Pctg POINTS		
		Won	Lost	Tie		Won	Lost	Pctg		For	Against	Pctg
PTVBC 16-Green	1 FJ6PTVBC3GL	3	0		100.00%	6	0	100.00%	151	112	57.41%	
Rapid Fire 16-Red	3 FJ6RAPID1GL	1	2		33.33%	3	5	37.50%	155	177	46.69%	
Panther 15U	2 FJ5PSCLB1GL	2	1		66.67%	4	3	57.14%	145	145	50.00%	
ESVBC 16-Orange	4 FJ6ESTSD4IA	0	3		0.00%	1	6	14.29%	146	163	47.25%	

Team	MATCH'S	Game 1			Game 2			Game 3			Offense	Defense	Diff +/-	Diff Tot.
		Won	Lost	Tie	Won	Lost	Tie	Won	Lost	Tie				
PTVBC 16-Green	X Rapid Fire 16-Red	26	-	24	,	25	-	15	,	-	51	39	12	
PTVBC 16-Green	X Panther 15U	25	-	16	,	25	-	14	,	-	50	30	20	
PTVBC 16-Green	X ESVBC 16-Orange	25	-	23	,	25	-	20	,	-	50	43	7	39
Rapid Fire 16-Red	X PTVBC 16-Green	24	-	26	,	15	-	25	,	-	39	51	-12	
Rapid Fire 16-Red	X Panther 15U	25	-	23	,	25	-	27	,	3	53	65	-12	
Rapid Fire 16-Red	X ESVBC 16-Orange	21	-	25	,	25	-	21	,	17	63	61	2	-22
Panther 15U	X PTVBC 16-Green	16	-	25	,	14	-	25	,	-	30	50	-20	
Panther 15U	X Rapid Fire 16-Red	23	-	25	,	27	-	25	,	15	65	53	12	
Panther 15U	X ESVBC 16-Orange	25	-	19	,	25	-	23	,	-	50	42	8	0
ESVBC 16-Orange	X PTVBC 16-Green	23	-	25	,	20	-	25	,	-	43	50	-7	
ESVBC 16-Orange	X Rapid Fire 16-Red	25	-	21	,	21	-	25	,	15	61	63	-2	
ESVBC 16-Orange	X Panther 15U	19	-	25	,	23	-	25	,	-	42	50	-8	-17

OVER ALL RECORDS FOR POOL 16DIIP1

Team	Code MATCH'S GAMES POINTS		
		Won	Lost	Tie	Pctg	Won	Lost	Pctg	For	Against	Pctg
PTVBC 15-Yellow	1 FJ5PTVBC4GL	4	0		100.00%	8	1	88.89%	210	171	55.12%
Air Intensity 16	4 FJ6AIVBC1GL	2	2		50.00%	4	4	50.00%	142	174	44.94%
Rapid Fire 15-White	7 FJ5RAPID1GL	0	4		0.00%	0	8	0.00%	129	200	39.21%
PTVBC 15-White	6 FJ5PTVBC5GL	0	4		0.00%	1	8	11.11%	149	210	41.50%
ESVBC 16-Green	2 FJ6ESTSD7IA	3	1		75.00%	6	2	75.00%	191	147	56.51%
ESVBC 16-Black	3 FJ6ESTSD5IA	3	1		75.00%	6	2	75.00%	186	147	55.86%
Illini United 16	5 FJ6UNITE1GL	2	2		50.00%	4	4	50.00%	182	163	52.75%
..... MATCH'S		Game 1		Game 2		Game 3		Offense	Defense	Diff +/-	Diff Tot.
PTVBC 15-Yellow	X ESVBC 16-Green	25	- 20	, 25	- 21	, -	-	50	41	9	
PTVBC 15-Yellow	X ESVBC 16-Black	25	- 20	, 25	- 16	, -	-	50	36	14	
PTVBC 15-Yellow	X Illini United 16	25	- 23	, 25	- 19	, -	-	50	42	8	
PTVBC 15-Yellow	X PTVBC 15-White	20	- 25	, 25	- 23	, 15	- 4	60	52	8	39
Air Intensity 16	X ESVBC 16-Green	9	- 25	, 14	- 25	, -	-	23	50	-27	
Air Intensity 16	X ESVBC 16-Black	22	- 25	, 20	- 25	, -	-	42	50	-8	
Air Intensity 16	X Illini United 16	25	- 23	, 25	- 17	, -	-	50	40	10	
Air Intensity 16	X Rapid Fire 15-White	25	- 19	, 25	- 15	, -	-	50	34	16	-9
Rapid Fire 15-White	X ESVBC 16-Green	21	- 25	, 15	- 25	, -	-	36	50	-14	
Rapid Fire 15-White	X ESVBC 16-Black	15	- 25	, 11	- 25	, -	-	26	50	-24	
Rapid Fire 15-White	X Illini United 16	14	- 25	, 19	- 25	, -	-	33	50	-17	
Rapid Fire 15-White	X Air Intensity 16	19	- 25	, 15	- 25	, -	-	34	50	-16	-71
PTVBC 15-White	X ESVBC 16-Green	17	- 25	, 21	- 25	, -	-	38	50	-12	
PTVBC 15-White	X ESVBC 16-Black	12	- 25	, 17	- 25	, -	-	29	50	-21	
PTVBC 15-White	X Illini United 16	17	- 25	, 13	- 25	, -	-	30	50	-20	
PTVBC 15-White	X PTVBC 15-Yellow	25	- 20	, 23	- 25	, 4	- 15	52	60	-8	-61
ESVBC 16-Green	X PTVBC 15-Yellow	20	- 25	, 21	- 25	, -	-	41	50	-9	
ESVBC 16-Green	X Air Intensity 16	25	- 9	, 25	- 14	, -	-	50	23	27	
ESVBC 16-Green	X Rapid Fire 15-White	25	- 21	, 25	- 15	, -	-	50	36	14	
ESVBC 16-Green	X PTVBC 15-White	25	- 17	, 25	- 21	, -	-	50	38	12	44
ESVBC 16-Black	X PTVBC 15-Yellow	20	- 25	, 16	- 25	, -	-	36	50	-14	
ESVBC 16-Black	X Air Intensity 16	25	- 22	, 25	- 20	, -	-	50	42	8	
ESVBC 16-Black	X Rapid Fire 15-White	25	- 15	, 25	- 11	, -	-	50	26	24	
ESVBC 16-Black	X PTVBC 15-White	25	- 12	, 25	- 17	, -	-	50	29	21	39
Illini United 16	X PTVBC 15-Yellow	23	- 25	, 19	- 25	, -	-	42	50	-8	
Illini United 16	X Air Intensity 16	23	- 25	, 17	- 25	, -	-	40	50	-10	
Illini United 16	X Rapid Fire 15-White	25	- 14	, 25	- 19	, -	-	50	33	17	
Illini United 16	X PTVBC 15-White	25	- 17	, 25	- 13	, -	-	50	30	20	19

OVER ALL RECORDS FOR POOL 16DIIP2

Team	Code MATCH'S GAMES POINTS		
		Won	Lost	Tie	Pctg	Won	Lost	Pctg	For	Against	Pctg
Sandburg 16	4 FJ6ESTSDCIA	0	3		0.00%	2	6	25.00%	138	174	44.23%
PTVBC 15-Green	1 FJ5PTVBC3GL	2	1		66.67%	5	2	71.43%	157	132	54.33%
ESVBC 16-Royal	3 FJ6ESTSD6IA	2	1		66.67%	4	4	50.00%	155	161	49.05%
ESVBC 16-Yellow	2 FJ6ESTSD8IA	2	1		66.67%	4	3	57.14%	151	134	52.98%

 MATCH'S	Game 1		Game 2		Game 3		Offense	Defense	Diff +/-	Diff Tot.
		Won	Lost	Won	Lost	Won	Lost				
Sandburg 16	X PTVBC 15-Green	17	- 25	, 21	- 25	, -	-	38	50	-12	
Sandburg 16	X ESVBC 16-Royal	17	- 25	, 25	- 19	, 10	- 15	52	59	-7	
Sandburg 16	X ESVBC 16-Yellow	17	- 25	, 27	- 25	, 4	- 15	48	65	-17	-36
PTVBC 15-Green	X Sandburg 16	25	- 17	, 25	- 21	, -	-	50	38	12	
PTVBC 15-Green	X ESVBC 16-Royal	21	- 25	, 25	- 20	, 11	- 15	57	60	-3	
PTVBC 15-Green	X ESVBC 16-Yellow	25	- 16	, 25	- 18	, -	-	50	34	16	25
ESVBC 16-Royal	X Sandburg 16	25	- 17	, 19	- 25	, 15	- 10	59	52	7	
ESVBC 16-Royal	X PTVBC 15-Green	25	- 21	, 20	- 25	, 15	- 11	60	57	3	
ESVBC 16-Royal	X ESVBC 16-Yellow	11	- 25	, 25	- 27	, -	-	36	52	-16	-6
ESVBC 16-Yellow	X Sandburg 16	25	- 17	, 25	- 27	, 15	- 4	65	48	17	
ESVBC 16-Yellow	X PTVBC 15-Green	16	- 25	, 18	- 25	, -	-	34	50	-16	
ESVBC 16-Yellow	X ESVBC 16-Royal	25	- 11	, 27	- 25	, -	-	52	36	16	17

18U Pool Play

OVER ALL RECORDS FOR POOL 8DIP1

Team	Code MATCH'S GAMES POINTS		
		Won	Lost	Tie	Pctg	Won	Lost	Pctg	For	Against	Pctg
ESVBC 18-Red	2 FJ8ESTSD11A	1	1		50.00%	2	2	50.00%	100	98	50.51%
PTVBC 18-Green	1 FJ8PTVBC3GL	2	0		100.00%	4	0	100.00%	100	68	59.52%
Hartem 17	3 FJ7ESTSDBIA	0	2		0.00%	0	4	0.00%	70	104	40.23%
..... MATCH'S		Game 1		Game 2		Game 3		Offense	Defense	Diff +/-	Diff Tot.
ESVBC 18-Red	X PTVBC 18-Green	23	- 25	, 23	- 25	, -	-	46	50	-4	
ESVBC 18-Red	X Hartem 17	29	- 27	, 25	- 21	, -	-	54	48	6	2
PTVBC 18-Green	X ESVBC 18-Red	25	- 23	, 25	- 23	, -	-	50	46	4	
PTVBC 18-Green	X Hartem 17	25	- 11	, 25	- 11	, -	-	50	22	28	32
Hartem 17	X ESVBC 18-Red	27	- 29	, 21	- 25	, -	-	48	54	-6	
Hartem 17	X PTVBC 18-Green	11	- 25	, 11	- 25	, -	-	22	50	-28	-34

OVER ALL RECORDS FOR POOL 8DIP2

Team	Code MATCH'S GAMES POINTS		
		Won	Lost	Tie	Pctg	Won	Lost	Pctg	For	Against	Pctg
SC Stars SM 18	1 FJ8SCSTR1GW	1	1		50.00%	3	2	60.00%	108	105	50.70%
ESVBC 17-Navy	3 FJ7ESTSD2IA	1	1		50.00%	2	3	40.00%	105	107	49.53%
ESVBC 18-Silver	2 FJ8ESTSD3IA	1	1		50.00%	2	2	50.00%	91	92	49.73%
..... MATCH'S		Game 1		Game 2		Game 3		Offense	Defense	Diff +/-	Diff Tot.
SC Stars SM 18	X ESVBC 17-Navy	23	- 25	, 26	- 24	, 8	- 15	57	64	-7	
SC Stars SM 18	X ESVBC 18-Silver	25	- 17	, 26	- 24	, -	-	51	41	10	3
ESVBC 17-Navy	X SC Stars SM 18	25	- 23	, 24	- 26	, 15	- 8	64	57	7	
ESVBC 17-Navy	X ESVBC 18-Silver	23	- 25	, 18	- 25	, -	-	41	50	-9	-2
ESVBC 18-Silver	X SC Stars SM 18	17	- 25	, 24	- 26	, -	-	41	51	-10	
ESVBC 18-Silver	X ESVBC 17-Navy	25	- 23	, 25	- 18	, -	-	50	41	9	-1

OVER ALL RECORDS FOR POOL 8DIP3

Team	Code MATCH'S GAMES POINTS		
		Won	Lost	Tie	Pctg	Won	Lost	Pctg	For	Against	Pctg
ESVBC 17-Red	3 FJ7ESTSD1IA	1	2		33.33%	3	4	42.86%	150	137	52.26%
SC Stars Jack 18	1 FJ8SCSTR2GW	3	0		100.00%	6	1	85.71%	156	126	55.32%
PTVBC 18-Yellow	2 FJ8PTVBC4GL	2	1		66.67%	4	3	57.14%	151	143	51.36%
ESVBC 18-Orange	4 FJ8ESTSD4IA	0	3		0.00%	1	6	14.29%	116	163	41.58%

Team	Code MATCH'S GAMES POINTS							
		Won	Lost	Tie	Pctg	Won	Lost	Pctg	For	Against	Pctg					
ESVBC 17-Red	X SC Stars Jack 18	16	-	25	,	25	-	15	,	13	-	15	54	55	-1	
ESVBC 17-Red	X PTVBC 18-Yellow	23	-	25	,	23	-	25	,				46	50	-4	
ESVBC 17-Red	X ESVBC 18-Orange	25	-	20	,	25	-	12	,				50	32	18	13
SC Stars Jack 18	X ESVBC 17-Red	25	-	16	,	16	-	25	,	15	-	13	56	54	2	
SC Stars Jack 18	X PTVBC 18-Yellow	25	-	18	,	25	-	20	,				50	38	12	
SC Stars Jack 18	X ESVBC 18-Orange	25	-	15	,	25	-	19	,				50	34	16	30
PTVBC 18-Yellow	X ESVBC 17-Red	25	-	23	,	25	-	23	,				50	46	4	
PTVBC 18-Yellow	X SC Stars Jack 18	18	-	25	,	20	-	25	,				38	50	-12	
PTVBC 18-Yellow	X ESVBC 18-Orange	23	-	25	,	25	-	10	,	15	-	12	63	47	16	8
ESVBC 18-Orange	X ESVBC 17-Red	23	-	25	,	12	-	25	,				35	50	-15	
ESVBC 18-Orange	X SC Stars Jack 18	15	-	25	,	19	-	25	,				34	50	-16	
ESVBC 18-Orange	X PTVBC 18-Yellow	25	-	23	,	10	-	25	,	12	-	15	47	63	-16	-47

OVER ALL RECORDS FOR POOL 8DIIP1

Team	Code MATCH'S GAMES POINTS							
		Won	Lost	Tie	Pctg	Won	Lost	Pctg	For	Against	Pctg					
Air Intensity 18	1 FJ8AIVBC1GL	3	0		100.00%	6	1	85.71%	162	122	57.04%					
PTVBC 18-White	2 FJ8PTVBC5GL	2	1		66.67%	4	3	57.14%	151	160	48.55%					
Illini United 18	3 FJ8UNITE1GL	1	2		33.33%	3	4	42.86%	153	161	48.73%					
ESVBC 16-Red	4 FJ6ESTSD1IA	0	3		0.00%	1	6	14.29%	143	165	46.43%					
Air Intensity 18	X PTVBC 18-White	25	-	12	,	25	-	20	,				50	32	18	
Air Intensity 18	X Illini United 18	22	-	25	,	25	-	18	,	15	-	11	62	54	8	
Air Intensity 18	X ESVBC 16-Red	25	-	18	,	25	-	18	,				50	36	14	40
PTVBC 18-White	X Air Intensity 18	12	-	25	,	20	-	25	,				32	50	-18	
PTVBC 18-White	X Illini United 18	29	-	27	,	25	-	21	,				54	48	6	
PTVBC 18-White	X ESVBC 16-Red	25	-	27	,	25	-	23	,	15	-	12	65	62	3	-9
Illini United 18	X Air Intensity 18	25	-	22	,	18	-	25	,	12	-	15	55	62	-7	
Illini United 18	X PTVBC 18-White	27	-	29	,	21	-	25	,				48	54	-6	
Illini United 18	X ESVBC 16-Red	25	-	22	,	25	-	23	,				50	45	5	-8
ESVBC 16-Red	X Air Intensity 18	18	-	25	,	18	-	25	,				36	50	-14	
ESVBC 16-Red	X PTVBC 18-White	27	-	25	,	23	-	25	,	12	-	15	62	65	-3	
ESVBC 16-Red	X Illini United 18	22	-	25	,	23	-	25	,				45	50	-5	-22

OVER ALL RECORDS FOR POOL 8DIIP2

Team	Code MATCH'S GAMES POINTS		
		Won	Lost	Tie	Pctg	Won	Lost	Pctg	For	Against	Pctg
Club FX 18 Green	1 FJ8CLBFX1GL	3	0		100.00%	6	0	100.00%	150	86	63.56%
BAVC 17	2 FJ7ESTSDAIA	2	1		66.67%	4	3	57.14%	139	128	52.06%
Sandburg 18	3 FJ8ESTSDAIA	1	2		33.33%	2	5	28.57%	110	148	42.64%
ESVBC 18-Black	4 FJ8ESTSD5IA	0	3		0.00%	2	6	25.00%	136	173	44.01%

..... MATCH'S		Game 1			Game 2			Game 3		Offense	Defense	Diff +/-	Diff Tot.
Club FX 18 Green	X BAVC 17	25	-	23	,	25	-	6	,	-	50	29	21
Club FX 18 Green	X Sandburg 18	25	-	13	,	25	-	9	,	-	50	22	28
Club FX 18 Green	X ESVBC 18-Black	25	-	14	,	25	-	21	,	-	50	35	15
BAVC 17	X Club FX 18 Green	23	-	25	,	6	-	25	,	-	29	50	-21
BAVC 17	X Sandburg 18	25	-	10	,	25	-	15	,	-	50	25	25
BAVC 17	X ESVBC 18-Black	25	-	14	,	19	-	25	,	16	-	14	60
Sandburg 18	X Club FX 18 Green	13	-	25	,	9	-	25	,	-	22	50	-28
Sandburg 18	X BAVC 17	10	-	25	,	15	-	25	,	-	25	50	-25
Sandburg 18	X ESVBC 18-Black	25	-	11	,	23	-	25	,	15	-	12	63
ESVBC 18-Black	X Club FX 18 Green	14	-	25	,	21	-	25	,	-	35	50	-15
ESVBC 18-Black	X BAVC 17	14	-	25	,	25	-	19	,	14	-	16	53
ESVBC 18-Black	X Sandburg 18	11	-	25	,	25	-	23	,	12	-	15	48

18U Division II Challenge Crossover Matches

Challenge Crossover 1

IEVBC 18 Maroon 8D2CRS1 - 12:00 pm IE Center Ct. 3 Hartem 17	25-21, 25-19 IEVBC 18-Maroon
---	---------------------------------

Challenge Crossover 2

PTVBC 18-White 8D2CRS2 - 12:00 pm IE Center Ct. 5 PTVBC 18-Yellow	25-14, 25-13 PTVBC 18-Yellow
--	---------------------------------

Challenge Crossover 3

ESVBC 18-Silver 8D2CRS2 - 1:00 pm IE Center Ct. 2 ESVBC 18-Orange	25-19, 25-17 ESVBC 18-Orange
--	---------------------------------

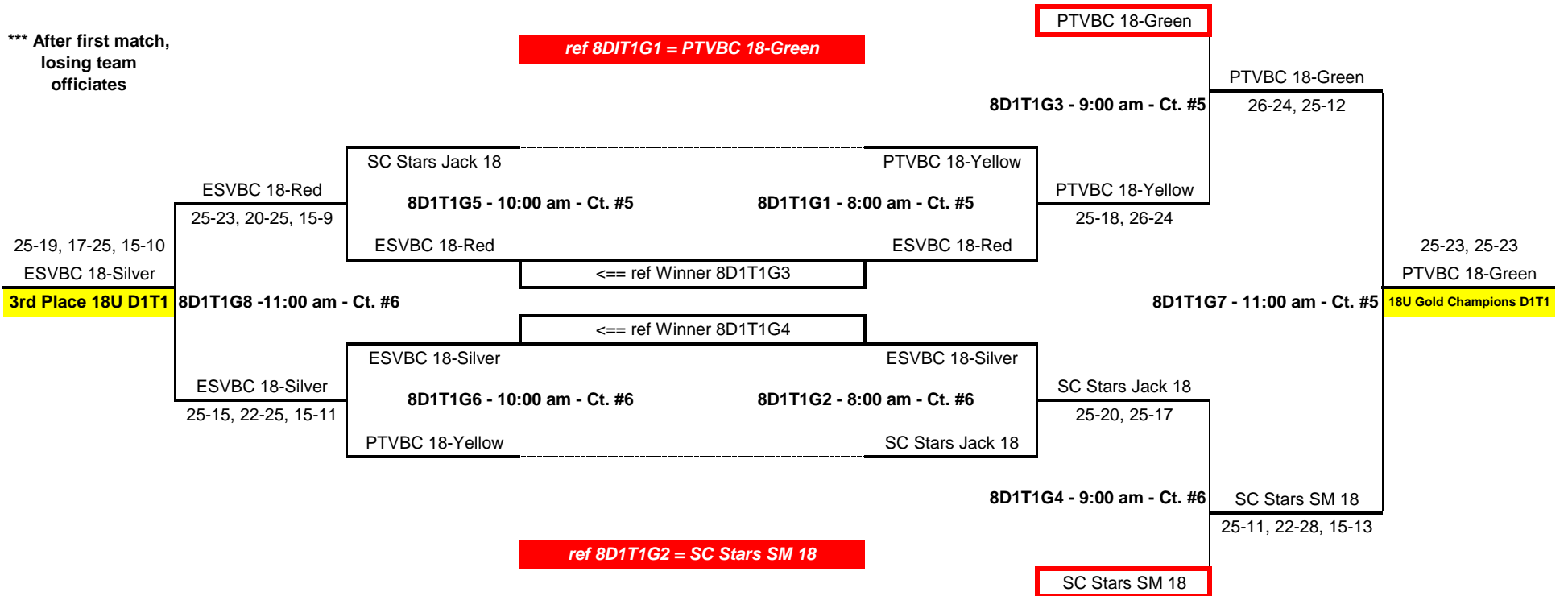
ref 8D2CRS1 = ESVBC 18-Silver

ref 8D2CRS2 = ESVBC 18-Orange

ref 8D2CRS3 = PTVBC 18-White

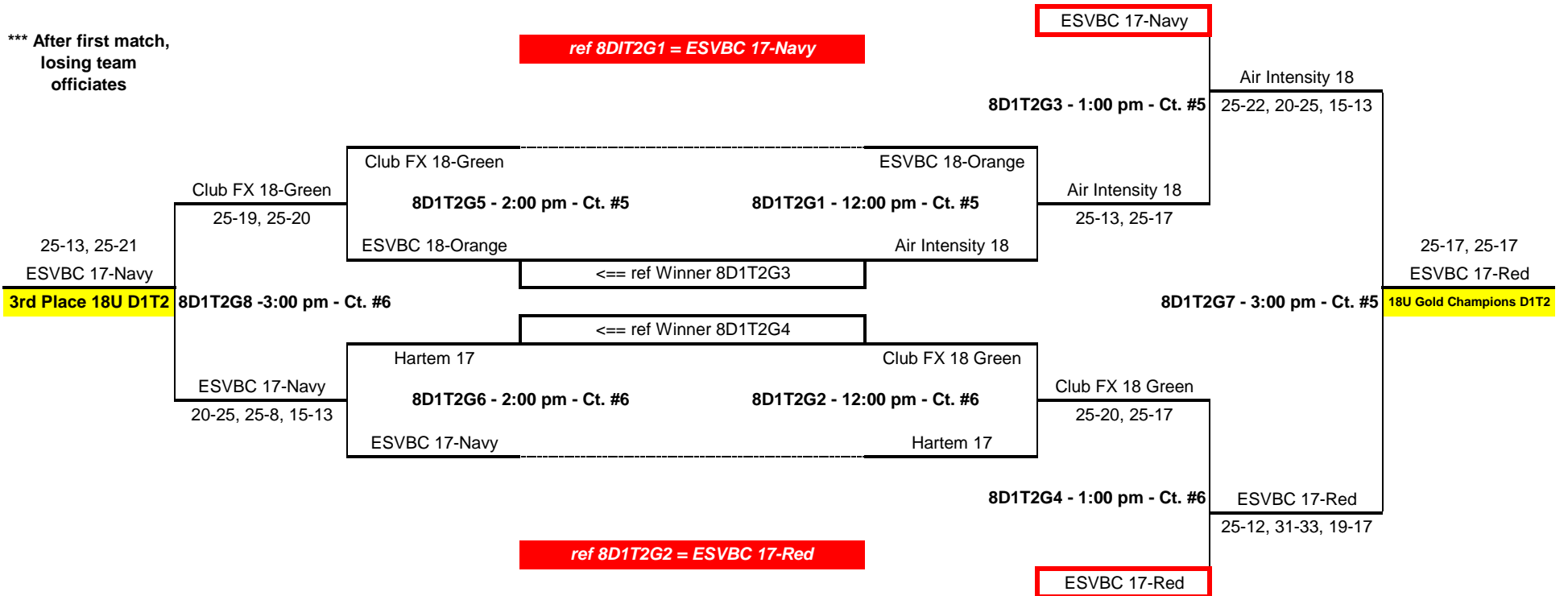
Gold Playoff Bracket for Girls 18U Division I Tier 1 - East Peoria HS

*** After first match,
losing team
officials



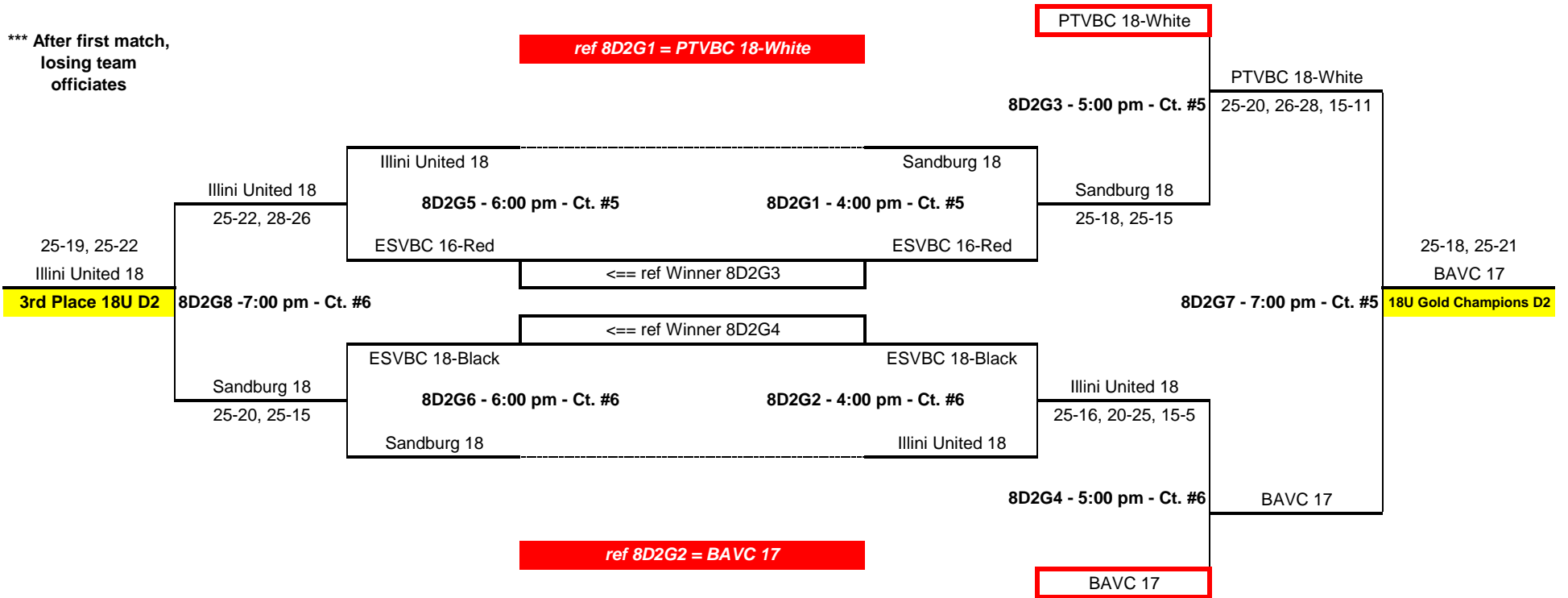
Gold Playoff Bracket for Girls 18U Division I Tier 2 - East Peoria HS

*** After first match,
losing team
officials



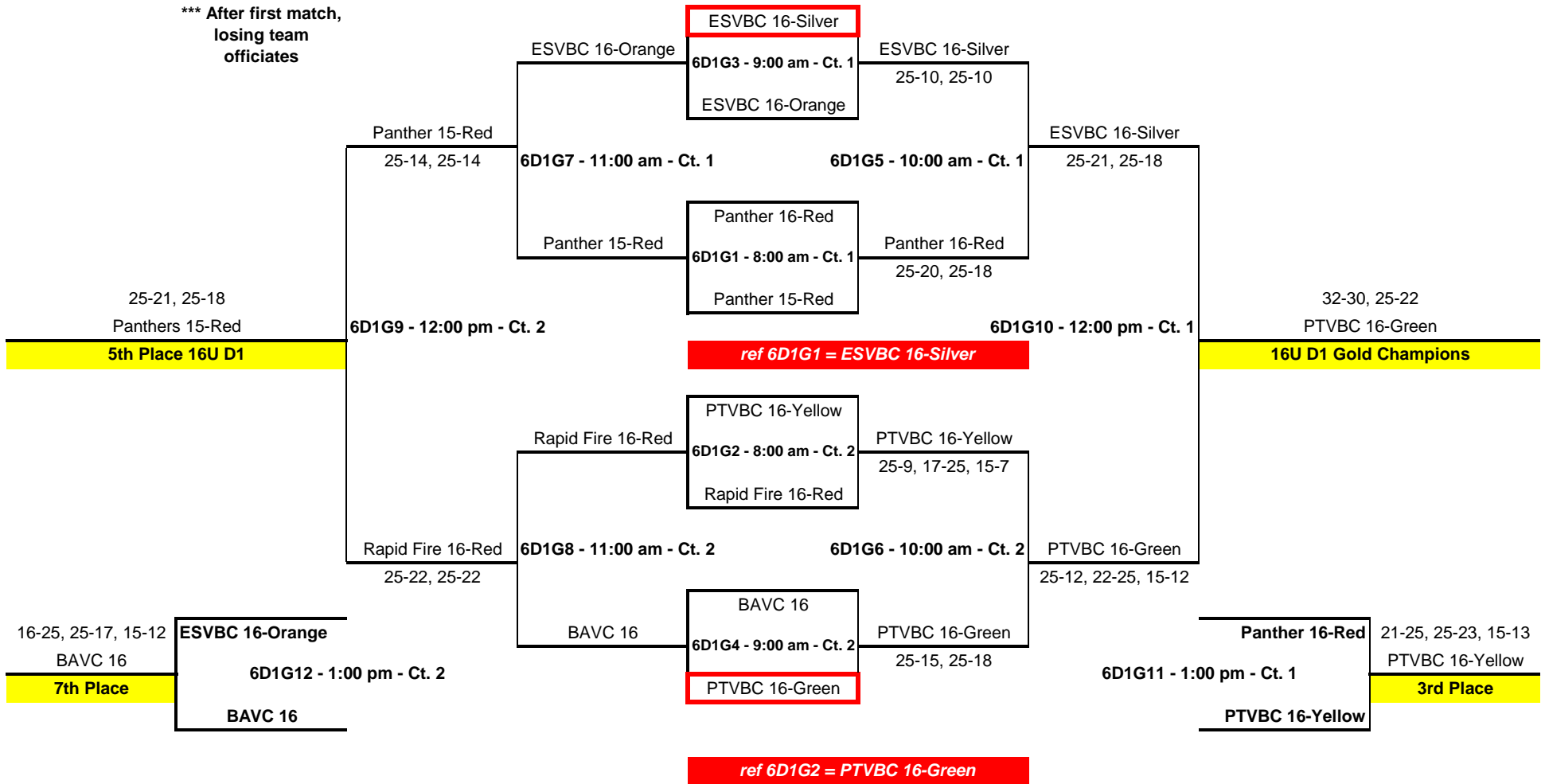
Gold Playoff Bracket for Girls 18U Division II - East Peoria High School

*** After first match,
losing team
officials



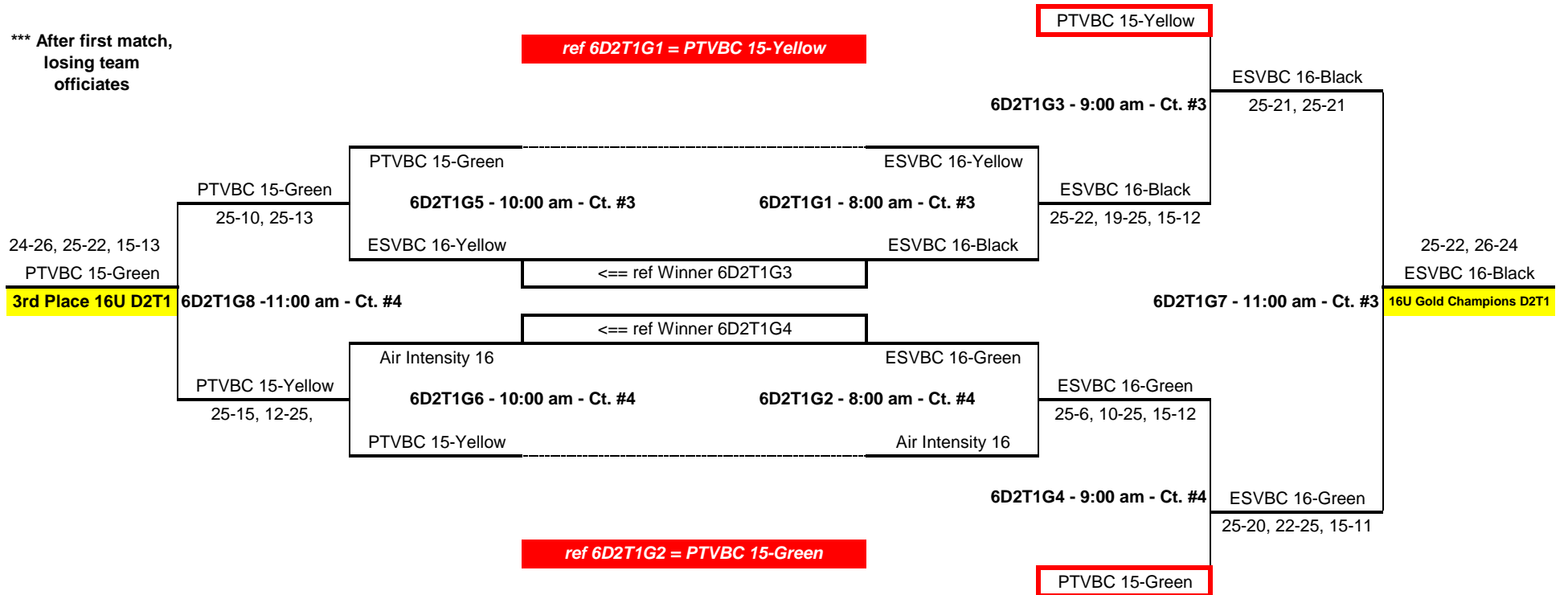
Gold Playoff Bracket for Girls 16U Division I - Peoria River Plex

*** After first match,
losing team
officialates



Gold Playoff Bracket for Girls 16U Division II Tier I - Peoria River Plex

*** After first match,
losing team
officials



Gold Playoff Bracket for Girls 16U Division II Tier 2 - Peoria River Plex

*** After first match,
losing team
officials

